

EUROPEAN JOURNAL OF CARDIO-THORACIC SURGERY

Giant chondrosarcoma and multiple hereditary exostoses: a very rare case report

Unal Sakinci, Erkan Yildirim, Koray Dural and Serdar Han

Eur J Cardiothorac Surg 2002;22:147-

This information is current as of July 14, 2009

The online version of this article, along with updated information and services, is located on the World Wide Web at:

<http://ejcts.ctsnetjournals.org/cgi/content/full/22/1/147>

The European Journal of Cardio-thoracic Surgery is the official Journal of the European Association for Cardio-thoracic Surgery and the European Society of Thoracic Surgeons. Copyright © 2002 by European Association for Cardio-Thoracic Surgery. Published by Elsevier. All rights reserved. Print ISSN: 1010-7940.

Images in cardio-thoracic surgery

Giant chondrosarcoma and multiple hereditary exostoses: a very rare case report

Unal Sakıncı, Erkan Yıldırım*, Koray Dural, Serdar Han

Department of Chest Surgery, Ankara Numune Education and Research Hospital, Ankara, Turkey

Received 23 November 2001; received in revised form 20 February 2002; accepted 25 March 2002

A giant chondrosarcoma of the anterior chest wall together with multiple hereditary exostoses of the lower extremities is presented. The 20-year-old male patient had been living with the lesion for 14 years during which time it

had grown to giant dimensions (Fig. 1). The tumour was excised en bloc and the defect was repaired using just skin flaps. The pedigree tree is shown in Fig. 2.



Fig. 1. The giant mass lesion (chondrosarcoma) of $20 \times 18 \times 20$ cm dimensions originating from the right arcus costarum together with bilateral multiple exostoses at the lower extremities are seen.

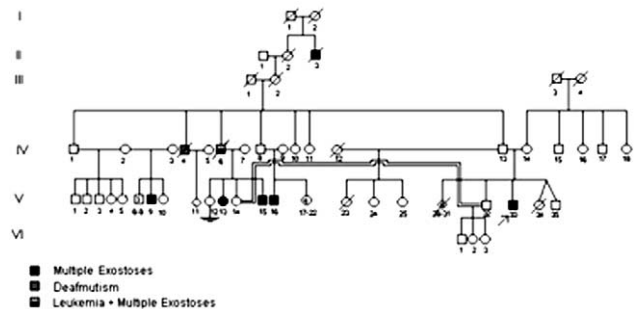


Fig. 2. Pedigree tree. Individual IV 6, who transmitted the gene to his children, died of leukemia. Proband is the only one who had chondrosarcoma. The patient's chromosome analysis revealed normal karyotype with polymorphism of 46, XY, Inv 9 (p1.1, q1.3). These could have been an example of EXT 1 mutation and LOH on this locus.

* Corresponding author. Tel.: +90-312-482-7279; fax: +90-312-310-3460.

E-mail address: erseyda@yahoo.com (E. Yıldırım).

Giant chondrosarcoma and multiple hereditary exostoses: a very rare case report

Unal Sakinci, Erkan Yildirim, Koray Dural and Serdar Han

Eur J Cardiothorac Surg 2002;22:147-

This information is current as of July 14, 2009

Updated Information & Services	including high-resolution figures, can be found at: http://ejcts.ctsnetjournals.org/cgi/content/full/22/1/147
Subspecialty Collections	This article, along with others on similar topics, appears in the following collection(s): Chest wall http://ejcts.ctsnetjournals.org/cgi/collection/chest_wall
Permissions & Licensing	Information about reproducing this article in parts (figures, tables) or in its entirety can be found online at: http://ejcts.ctsnetjournals.org/misc/Permissions.shtml
Reprints	Information about ordering reprints can be found online: http://ejcts.ctsnetjournals.org/misc/reprints.shtml

EUROPEAN JOURNAL OF
CARDIO-THORACIC
SURGERY